

**Exquisite Collection  
Thermostatic Shower Mixer**

**Model: UKR-46039**

**Help Line**

If you need additional assistance at any time during the installation, please call us at: 1.800.775.0703 or email us at: [info@kraususa.com](mailto:info@kraususa.com)

Our customer service hours are Monday - Friday, 9am - 6pm EST. Be sure to visit our website at: [www.kraususa.com](http://www.kraususa.com)

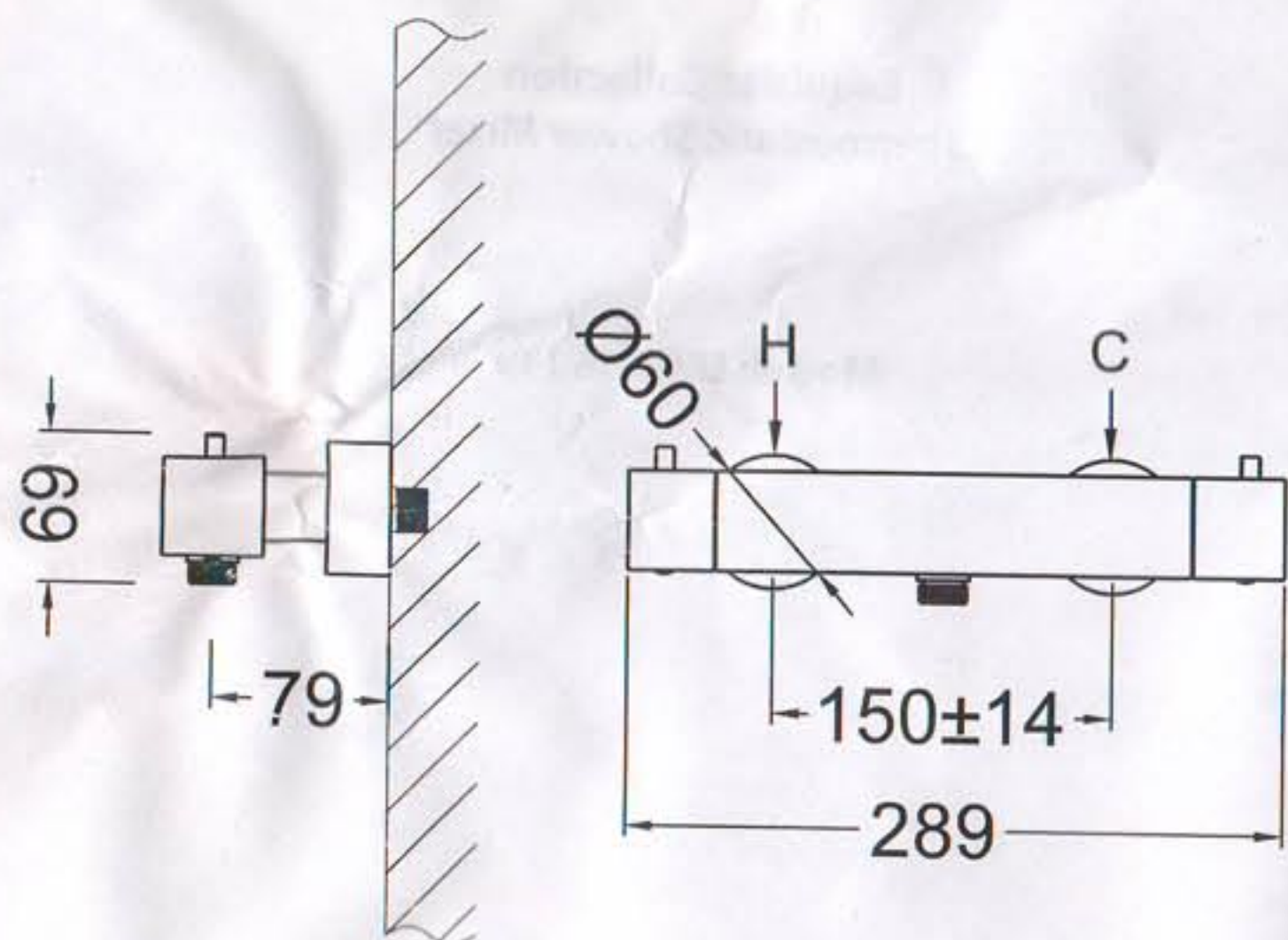


KrausUSA / 12 Harbor Park Dr,  
Port Washington, NY, 11050

Questions?  
Call Us: 1.800.775.0703

**Exquisite Collection  
Thermostatic Shower Mixer**

**Model: UKR-46039**



**Step 1**

Fill the gap between the wall and the outlet hole with silicone. Turn on the valve and allow the water to run freely for 5 minutes. Then turn off the valve.



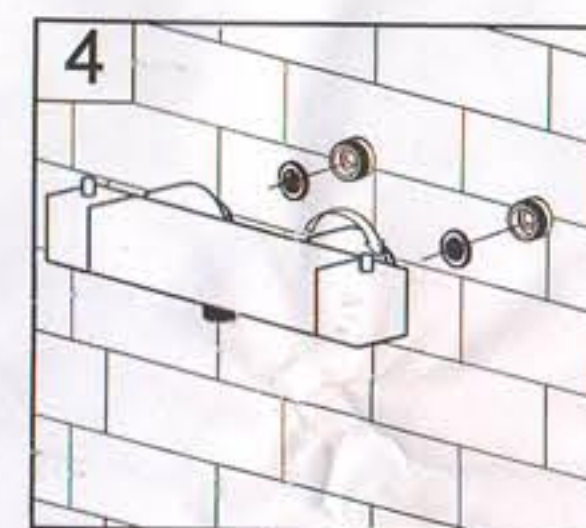
**Step 2**

Wrap the bended connector with Teflon tapes. Then screw it into the outlet hole.



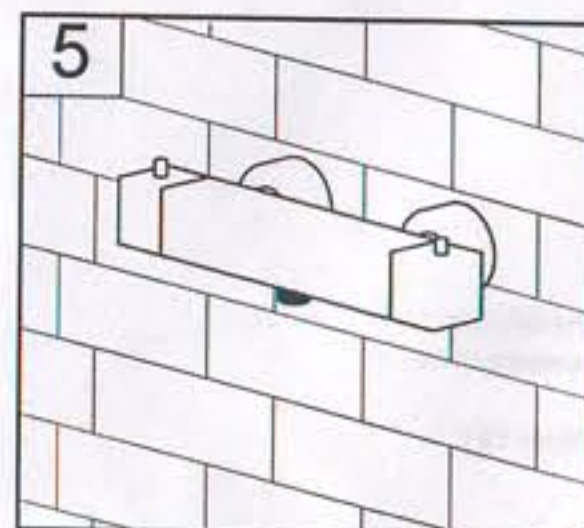
**Step 3**

Adjust the position of the two bended connectors to be horizontal, and make sure the center distance to be 150mm.



**Step 4**

Put the washer onto the bended connector. Lock the fixing nut to tight the mixer body. Push the flange to the wall in the right position.



Finish.