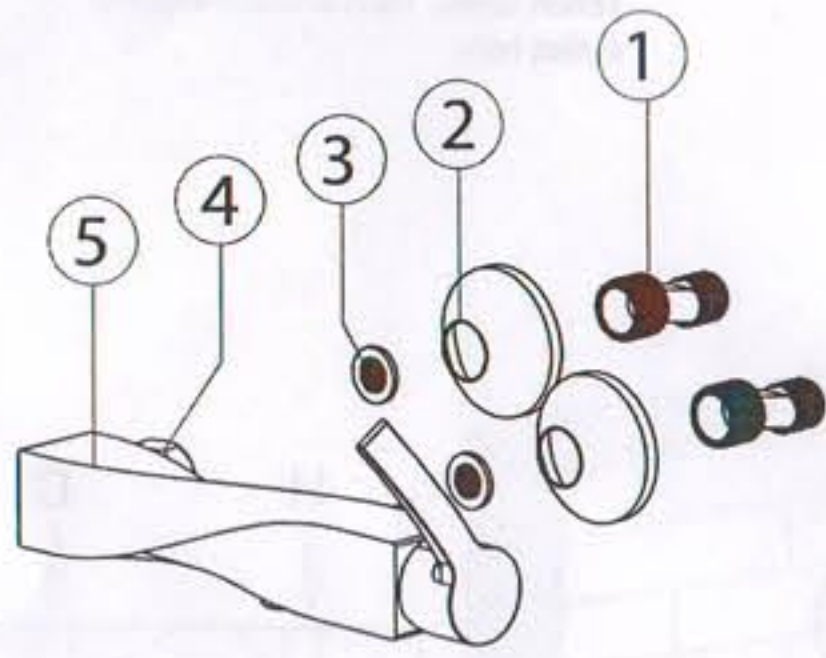


## Explanation



1. Bended connector
2. Flange
3. Washer
4. Fixing nut
5. Mixer body

### Help Line

If you need additional assistance at any time during the installation, please call us at: 1.800.775.0703 or email us at: [info@kraususa.com](mailto:info@kraususa.com)

Our customer service hours are Monday - Friday, 9am - 6pm EST. Be sure to visit our website at: [www.kraususa.com](http://www.kraususa.com)



KrausUSA / 12 Harbor Park Dr,  
Port Washington, NY, 11050

Questions?  
Call Us: 1.800.775.0703

3 /

# Kräus®

## Installation Manual

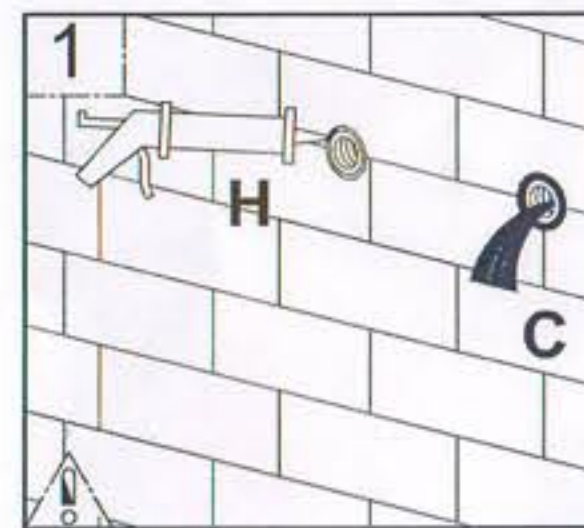
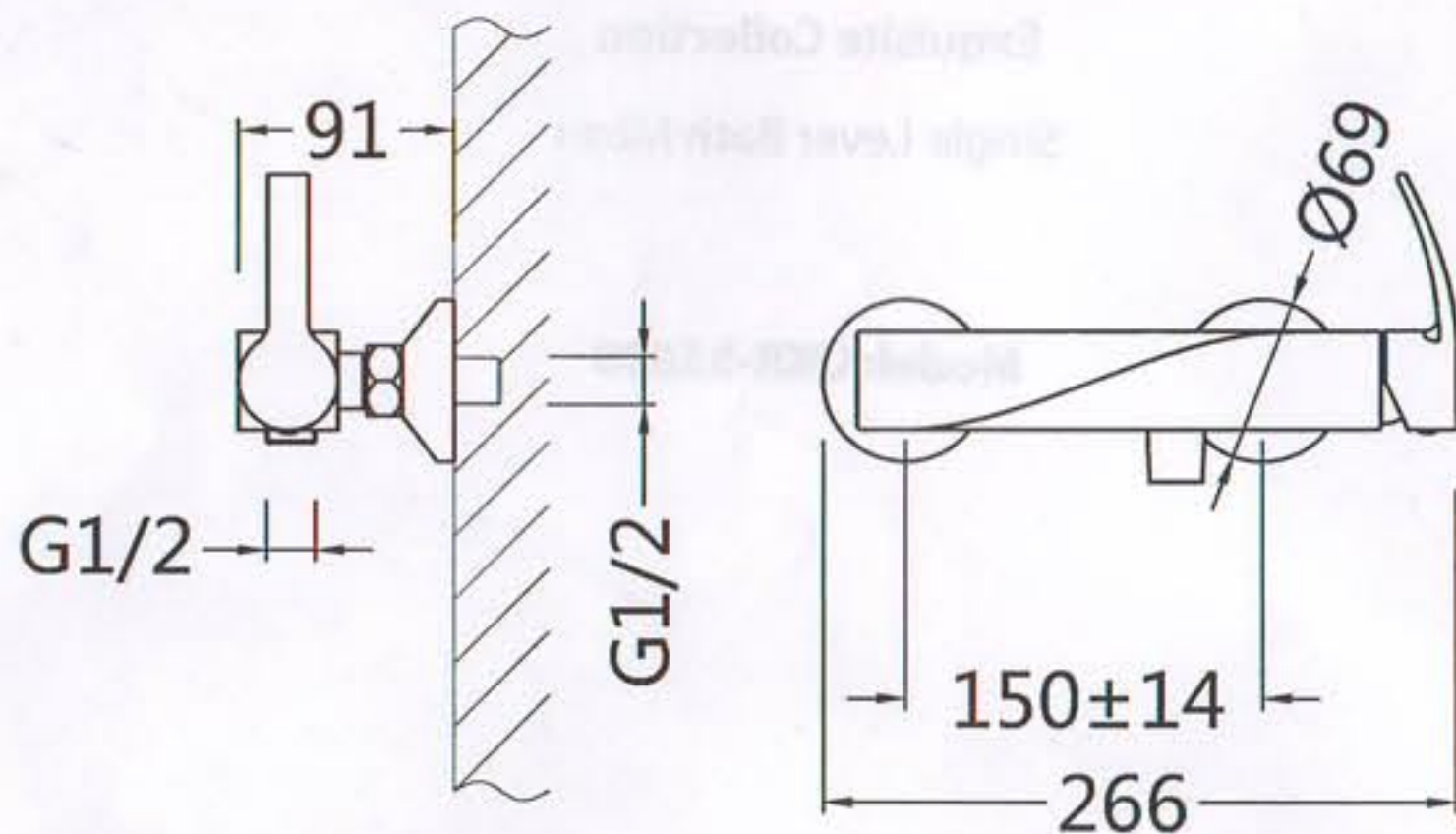
Exquisite Collection  
Single Lever Bath Mixer

Model: UKR-35009

[www.kraususa.com](http://www.kraususa.com) / P: 1.646.461.9199 / F: 1.516.621.8900 / Toll Free: 1.800.755.0703

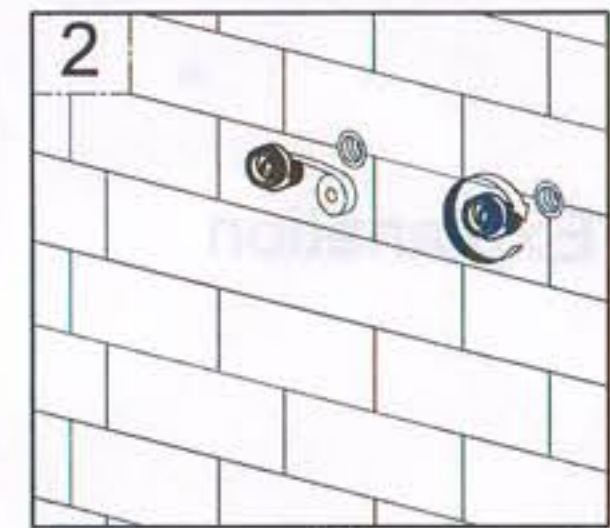
Exquisite Collection  
Single Lever Bath Mixer

Model: UKR-35009



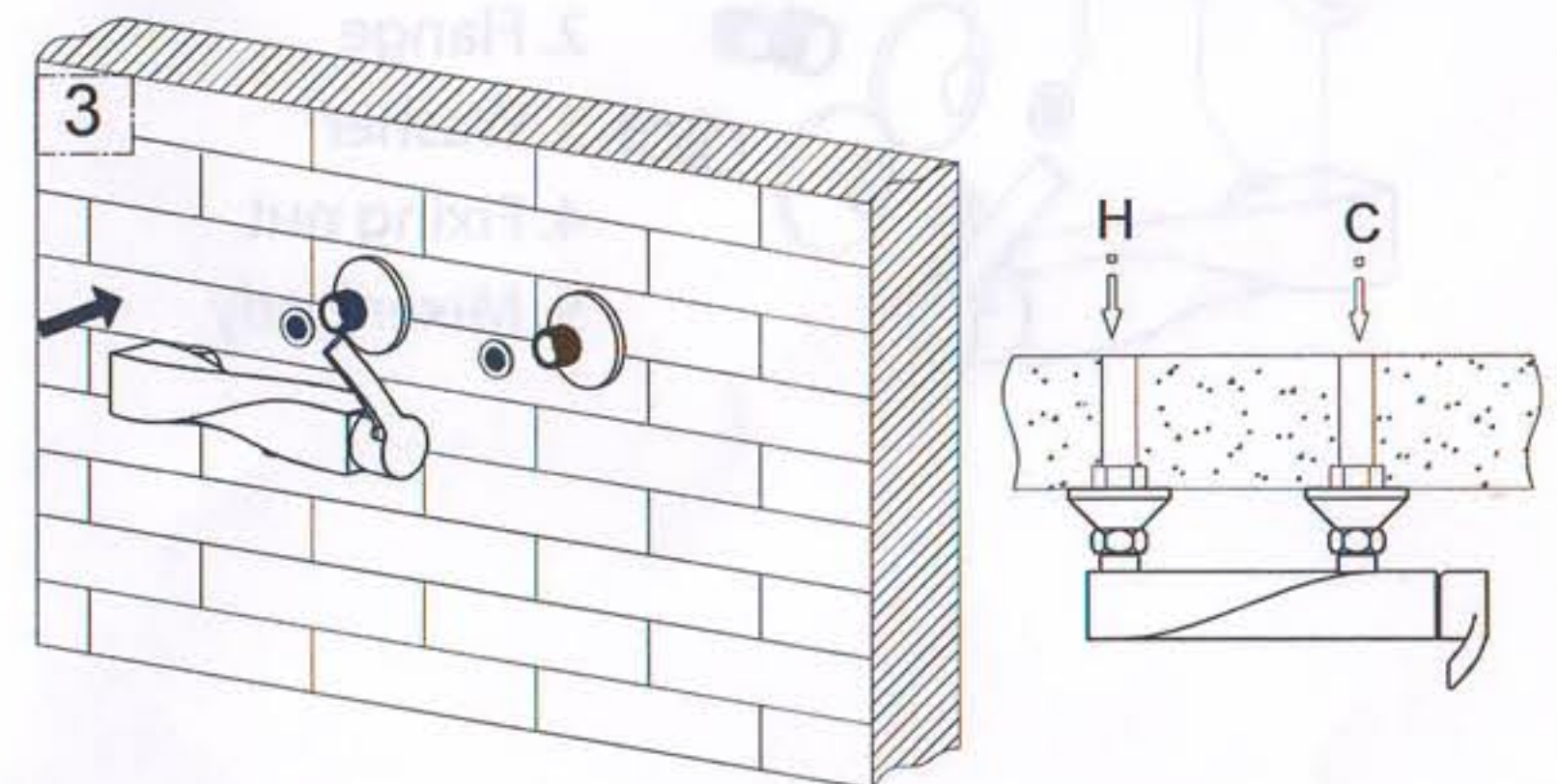
### Step 1

Fill the gap between the wall and the outlet hole with silicone. Turn on the valve and allow the water to run freely for 5 minutes. Then turn off the valve.



### Step 2

Wrap the bended connector with Teflon tapes. Then screw it into the outlet hole.



### Step 3

Put the washer onto the bended connector. Lock the fixing nut to tight the mixer body. Push the flange to the wall in the right position.