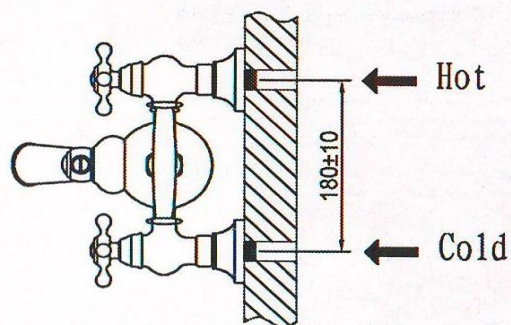
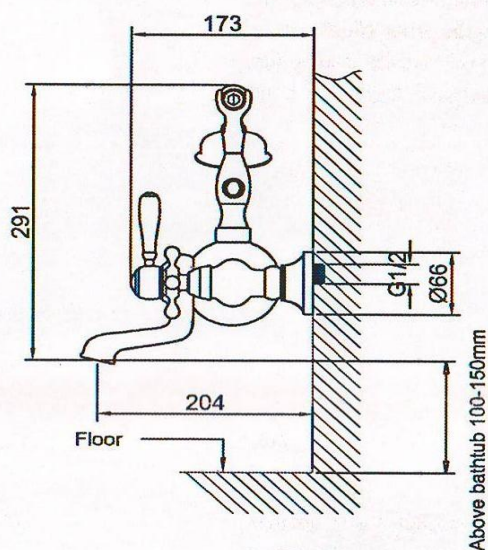
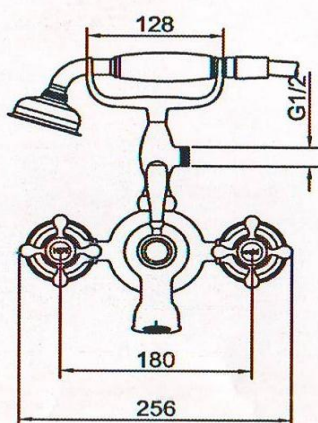
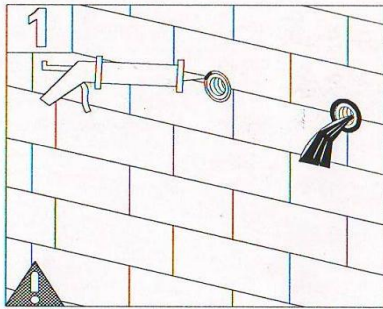


# Exquisite Collection Wall-Mounted Bath Mixer with Hand Shower and Hose

**Model: KEF-16060**

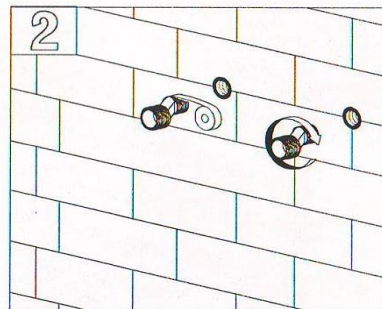


**Unit: mm**



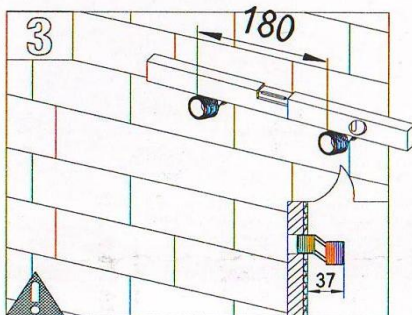
### Step 1

Fill the gap between the wall and the outlet hole with silicone. Turn on the valve and allow the water to run freely for 5 minutes. Then turn off the valve



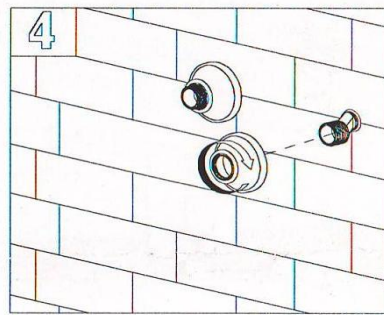
### Step 2

Wrap the bended connector with Teflon tapes. then screw it into the outlet hole.



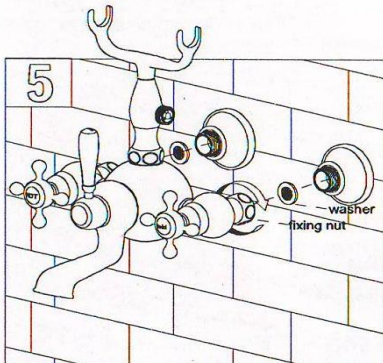
### Step 3

Adjust the position of the two bended connectors to be horizontal, and make sure the center distance to be 180mm.



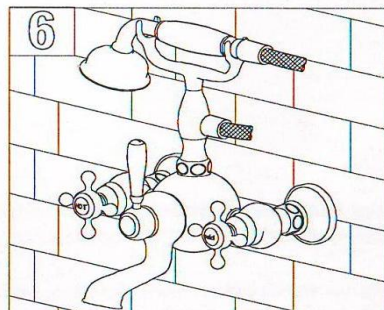
### Step 4

Install the flange to the bended connector.



### Step 5

Put the washer onto the fixing nut. Lock the fixing nut onto the bended connector to tight the mixer body.



### Step 6

Screw one end of the hose to the mixer body, another end to the hand shower, then place the hand shower on the bracket.