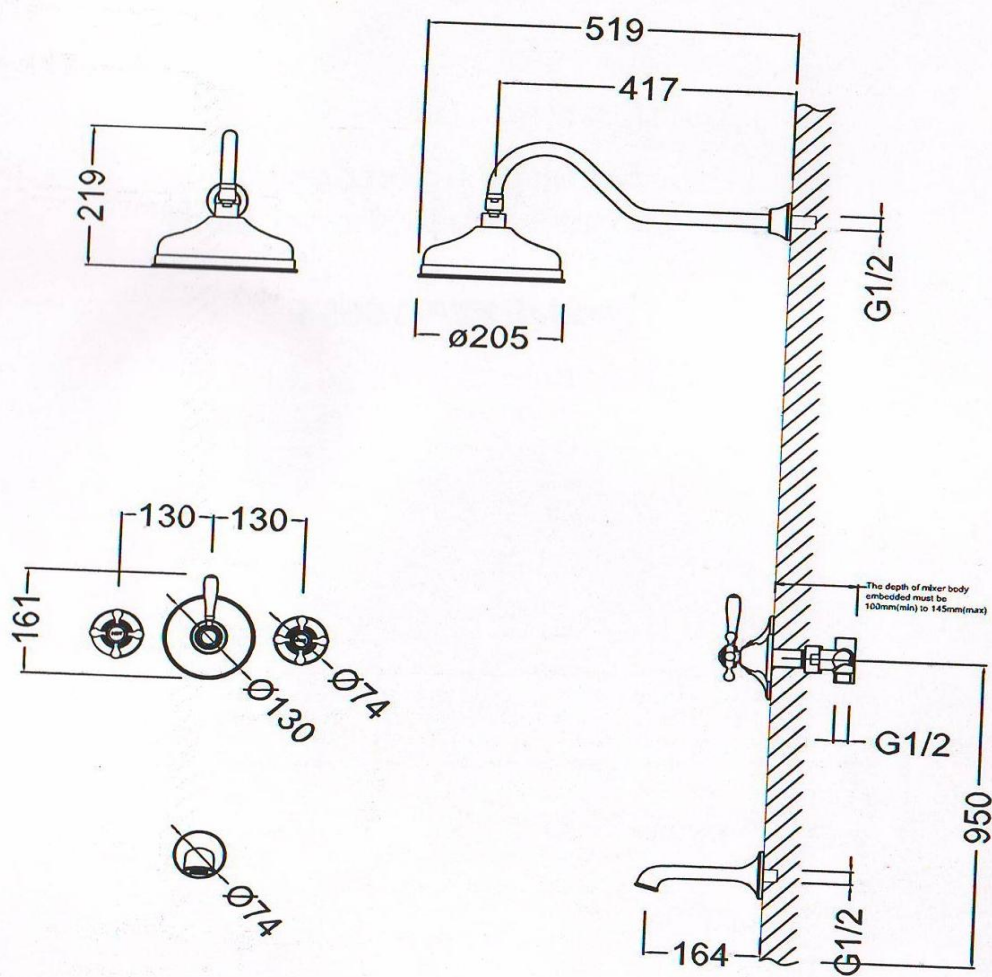
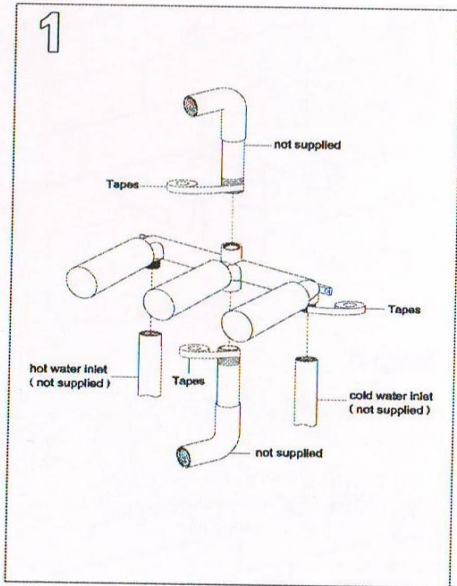


Exquisite Collection
Wall-Concealed Bath Shower Mixer

Model: KEF-16054



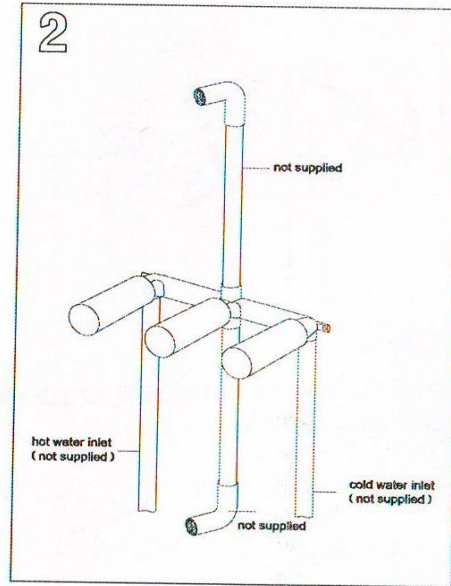


Step 1

Hot water inlet connection to the left, Cold water inlet connection to the right. Mixer water outlet connection, vertically upwards/downwards.

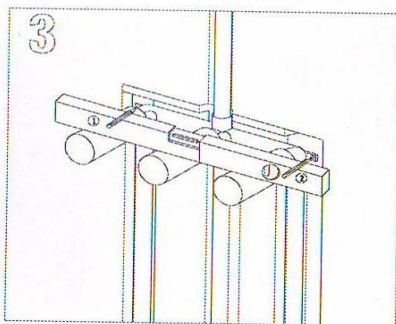
Note: Wrap some tapes onto the screw.

- Make sure the faucet is fitted to the hot & cold water supply connections.
- All pipework must be thoroughly flushed prior to installation.



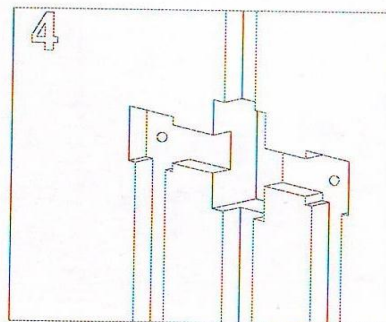
Step 2

Finish pipework as above.



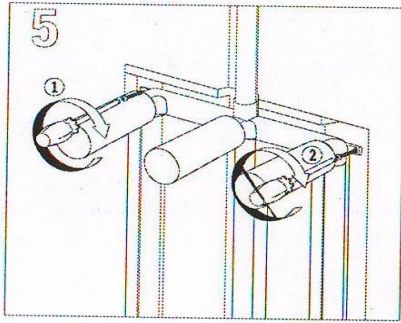
Step 3

Adjust the position of the two connectors to be horizontal, mark fixing hole positions with pencil.



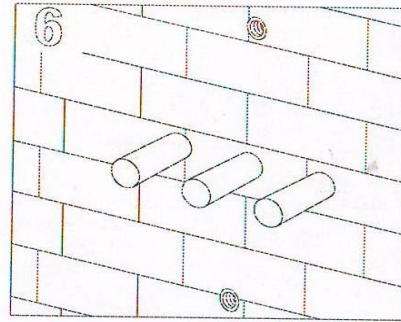
Step 4

Drill $\text{\O}6.0\text{mm}$ holes, insert anchors into the drilled holes.



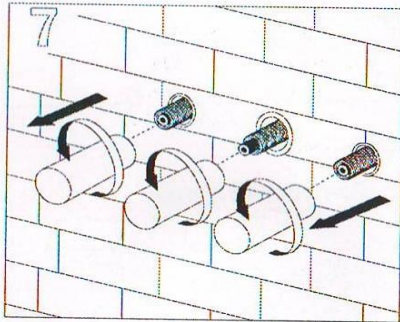
Step 5

Fit mixer body into the wall, check all connections for leaks.



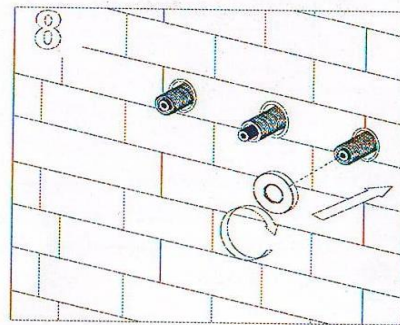
Step 6

Tile the wall.



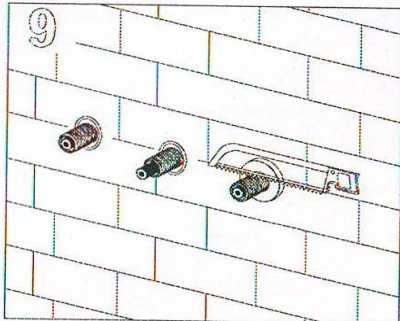
Step 7

Remove the protective sleeve.



Step 8

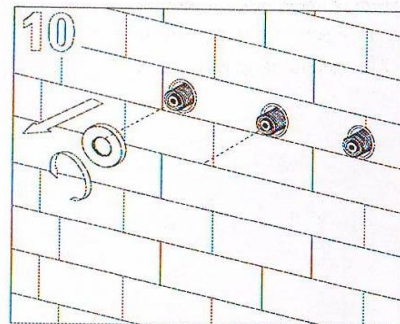
Fix the brass plate onto the threaded connectors, then push the brass plate firmly against the wall/tile face.



Step 9

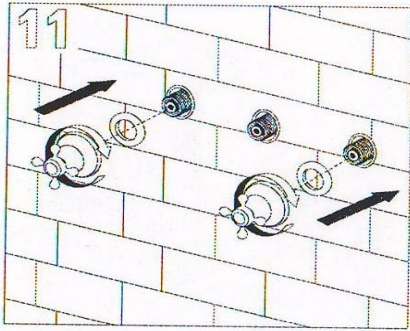
Cut off the extra part of the threaded connectors.

Note: the surface must cut flat, not cant.



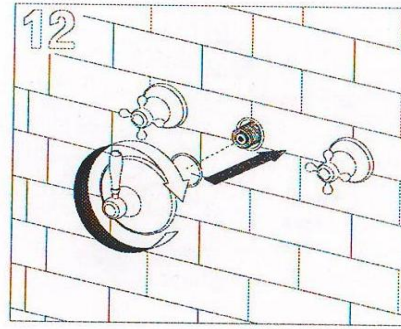
Step 10

Take off the brass plate after cutting the two threaded connectors.



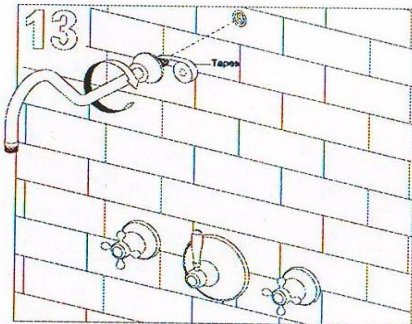
Step 11

Install the handle marked with hot to the left, handle marked with cold to the right handle connector separately, then tighten against the wall/tile face.



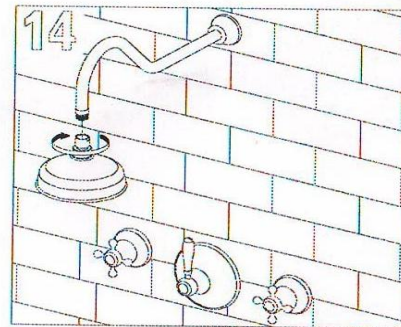
Step 12

Install the diverter handle into the middle handle connector, and then tighten against the tile face.



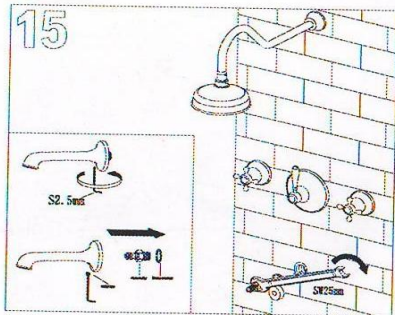
Step 13

Install the flange onto the shower arm, wrap some tapes onto the threa of shower arm, then screw into the wall and place it correctly.



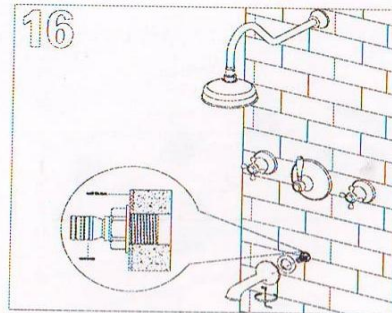
Step 14

Install the head shower onto the shower arm, and tighten it firmly.



Step 15

Carefully remove the setscrew off the spout, then take off the connector from the spout, put the brass washer onto the connector and wrap some tapes onto the connector, then screw the connector to the wall tightly.



Step 16

Install the spout to the conector against the wall/tile face, adjust the place of the spout, then tighten setscrew with allen key firmly.