



Exquisite Collection
Two-Hole Wall Mounted
Single Lever Basin Mixer

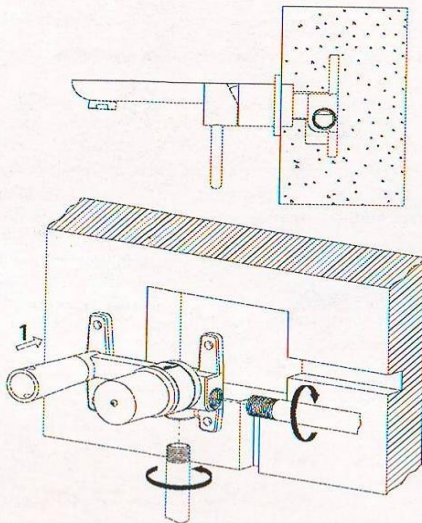
Model: KEF-15307

Exquisite Collection

Two-Hole Wall Mounted Single Lever Basin Mixer

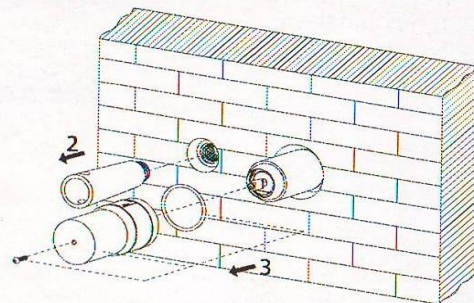
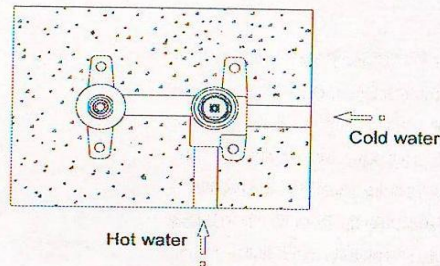
Model: KEF-15307

Installation



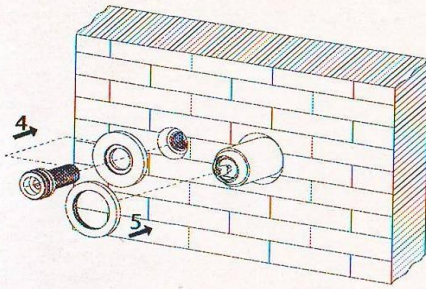
Step 1

Wrap the cold and hot inlet pipes with Teflon tapes, and then put them into the corresponding screw hole in the valve (15). Place the valve in the wall (please see the depth in the dimension drawing). Turn on the water supply system to check the leak. Unscrew the mounting screw (3) to take off the protective sleeve (2), turn on the cartridge to check the leak. After checking, turn off the cartridge. Take off the protective sleeve (14), turn on the cartridge again to flush the sundries from the pipe. Put the protective sleeve (2) and (4) back into the valve.



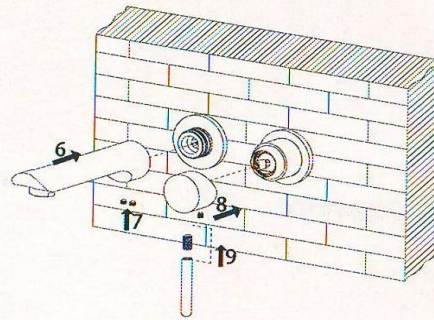
Step 2

Tile the wall after checking that there is no leak; take off the protective sleeves (2) & (14).



Step 3

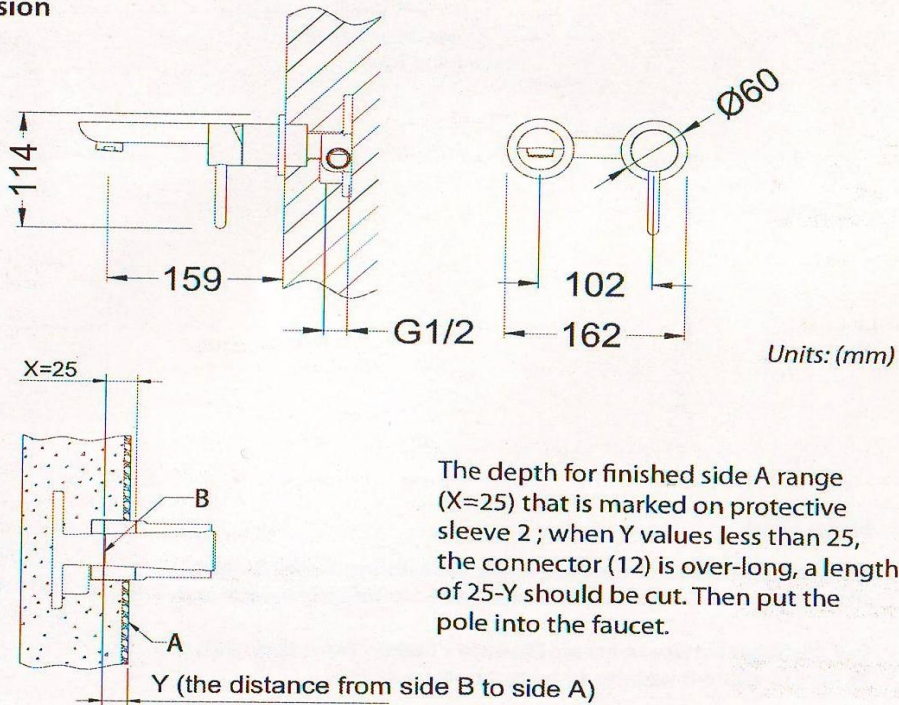
Wrap the connector (12) with Teflon tapes, then put through decorating board (13) and screw into valve (15) (when the connector has over length, it should be cut shorter, please see the detail in the dimension drawing), and then put the decorating board (4) onto the valve.



Step 4

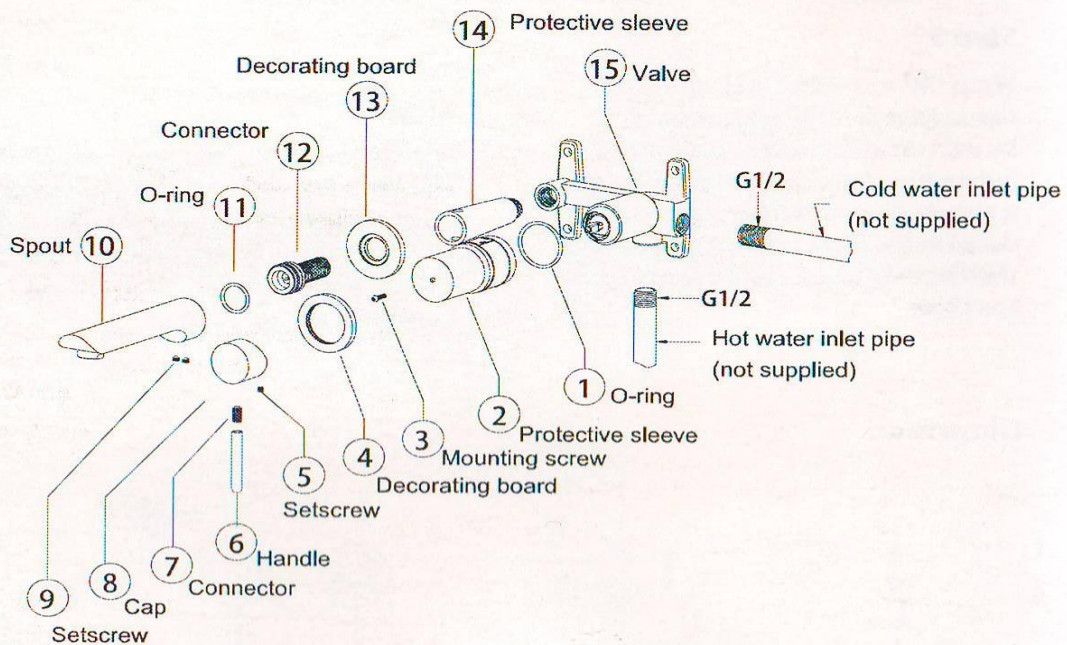
Put the spout (10) into the connector (12); fix it with setscrew (9). Put the cap (9) onto the cartridge of the valve; fix it with set screw (5); then screw connector (7) into the cap. Finally, screw in handle (6).

Dimension



The depth for finished side A range (X=25) that is marked on protective sleeve 2; when Y values less than 25, the connector (12) is over-long, a length of 25-Y should be cut. Then put the pole into the faucet.

Explanation



Help Line

If you need additional assistance at any time during the installation, please call us at: **1.800.775.0703** or email us at: **info@kraususa.com**

Our customer service hours are **Monday - Friday, 9am - 6pm EST.**
Be sure to visit our website at: **www.kraususa.com**



KrausUSA / 12 Harbor Park Dr,
Port Washington, NY, 11050

Questions?
Call Us: 1.800.775.0703