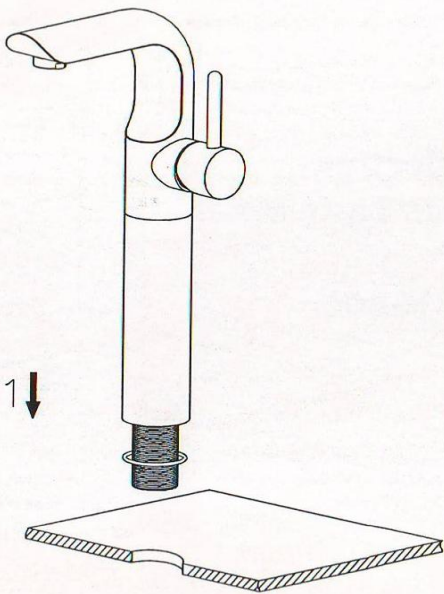


# Exquisite Collection

## Extended Single Lever Basin Mixer

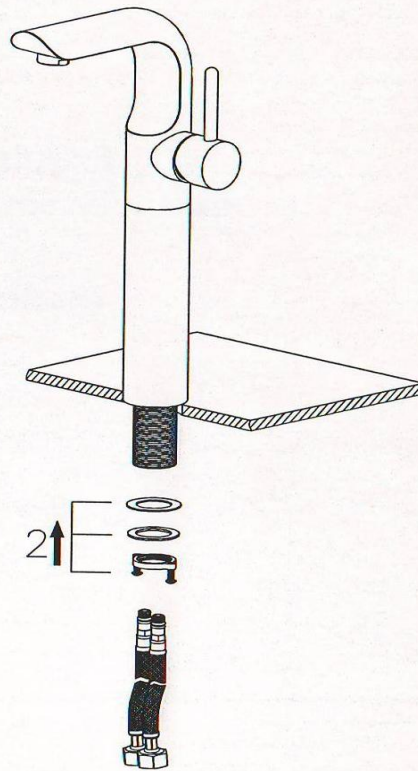
Model: U-KEF-15300

### Installation



#### Step 1

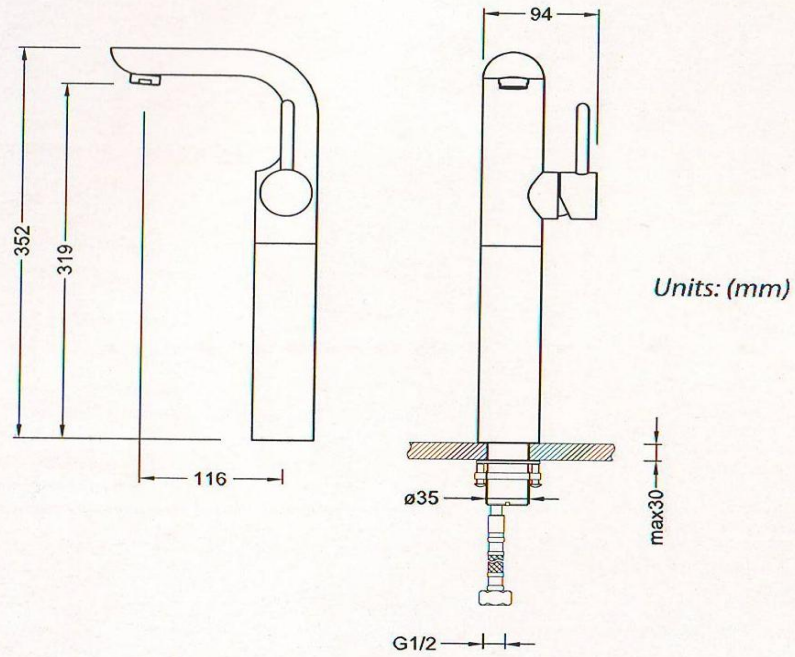
Screw waterlines (8) into the corresponding screw-hole of faucet body (1). Fit O-ring (3) into the bottom groove of faucet body (1).



#### Step 2

Insert waterlines (8) and threaded pipe (2) through the drilled hole  $\Phi 35$  of the countertop. Put rubber washer (4) and brass washer (5) onto the threaded pipe, screwing in fixing ring (6). Then place faucet body (1) correctly and fix with mounting screw (7) tightly.

## Dimension



## Explanation

