

The logo features the word "Kraus" in a white, serif font on a black background. The letter "K" is stylized with a vertical line through its center. Above the "a" are three small white teardrop shapes. A registered trademark symbol (®) is located to the upper right of the "s".

**Kraus<sup>®</sup>**

INSTALLATION MANUAL

## **Aquila Single Lever Basin Faucet**

FUS-13901

## **Thank you for purchasing Kraus**

We would like to take this opportunity to thank you for your business with Kraus USA. It is our sincere hope that you are completely satisfied with your experience. We welcome any questions or comments you may have, and will be glad to assist you in the future.

For more information about Kraus products, please visit our website at:

**[www.kraususa.com](http://www.kraususa.com)**

Please register your new Kraus product at the following web address in order to activate the warranty and receive the full benefit of customer support:

**[www.kraususa.com/registration](http://www.kraususa.com/registration)**

*Sincerely,*

*Kraus Customer Service Department*

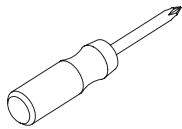
## Prior to Installation:

- Make sure you have all necessary parts by checking the diagram and parts list. If any part is missing or damaged, please contact Kraus Customer Service at 800-775-0703 for a replacement
- Turn off the hot and cold water supply at the angle stops and turn on the old faucet to release any built up pressure. Remove existing faucet. Clean sink or countertop to remove any debris, plumber's putty, or silicone
- Place bucket under angle stops. Turn on to flush any debris prior to installing new plumbing. Shut off angle stops
- Pre-drilled hole size requirement: 1-3/8" (min) – 1-1/2" (max)
- Max countertop thickness: 1-3/8"

## Tools you will need:



Adjustable Wrench



Phillips Screwdriver

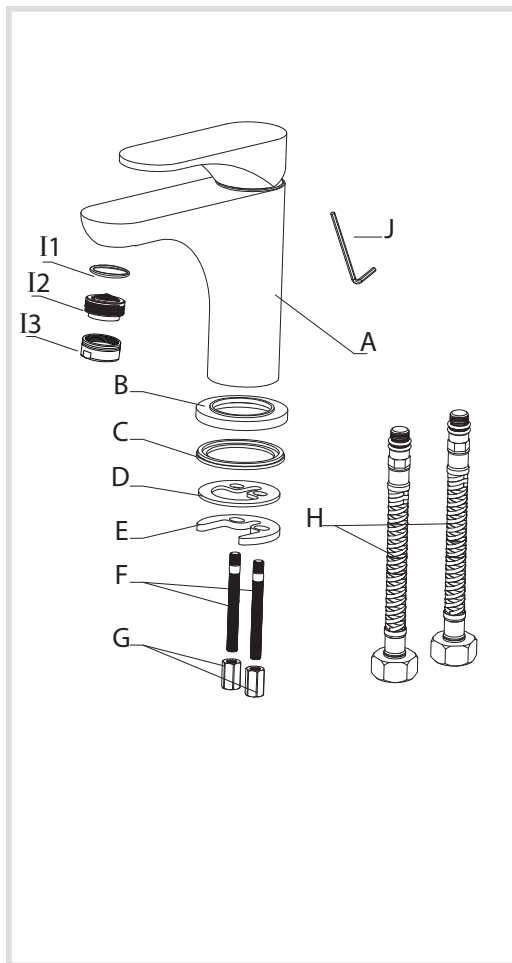


Safety Goggles



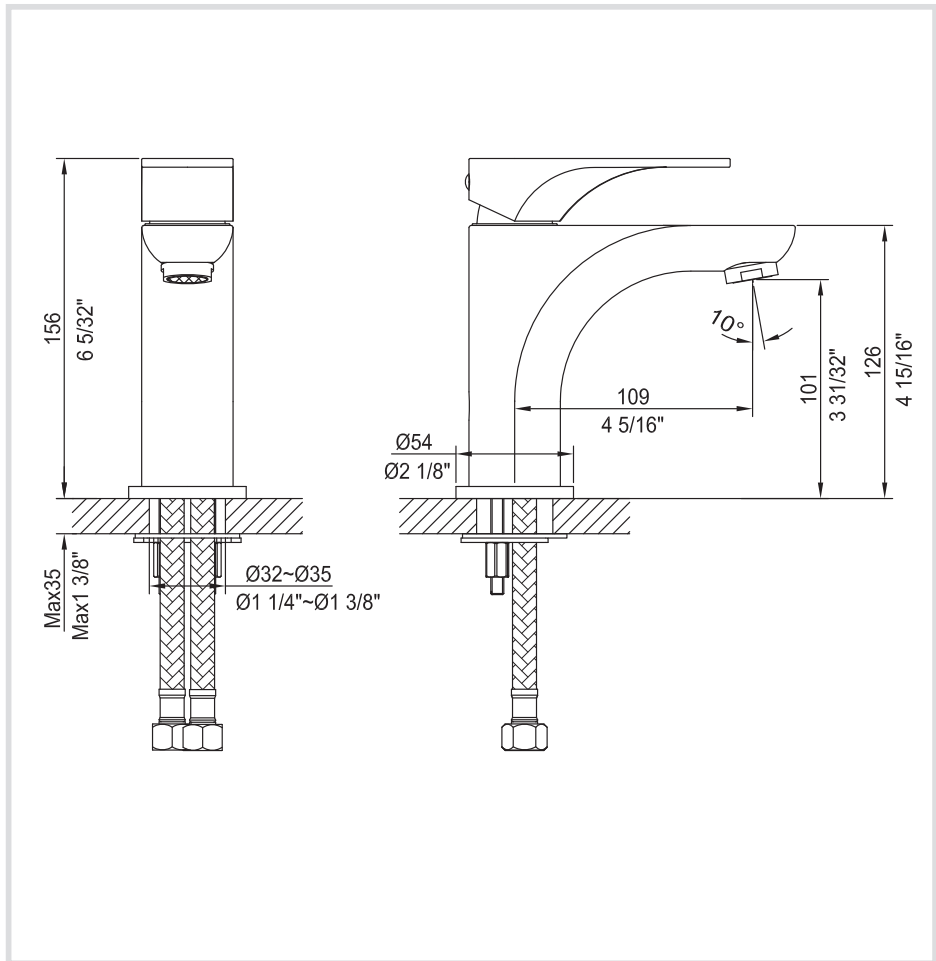
Bucket

## FUS-13901 Diagram and Parts List

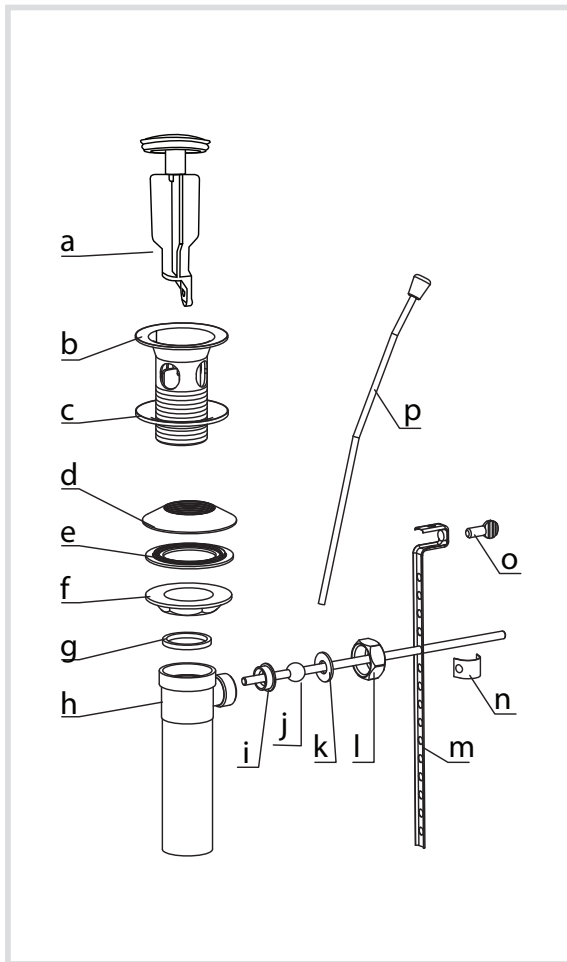


- A. Faucet Body
- B. Base Metal Ring
- C. Base O-Ring
- D. Rubber O-Washer
- E. Metal U-Washer
- F. Mounting Screws
- G. Mounting Nuts
- H. Hot & Cold Waterlines
- I. Aerator Assembly
  - I 1. Aerator Washer
  - I 2. Aerator
  - I 3. Aerator Cover
- J. Hex Wrench

# Faucet Dimensions

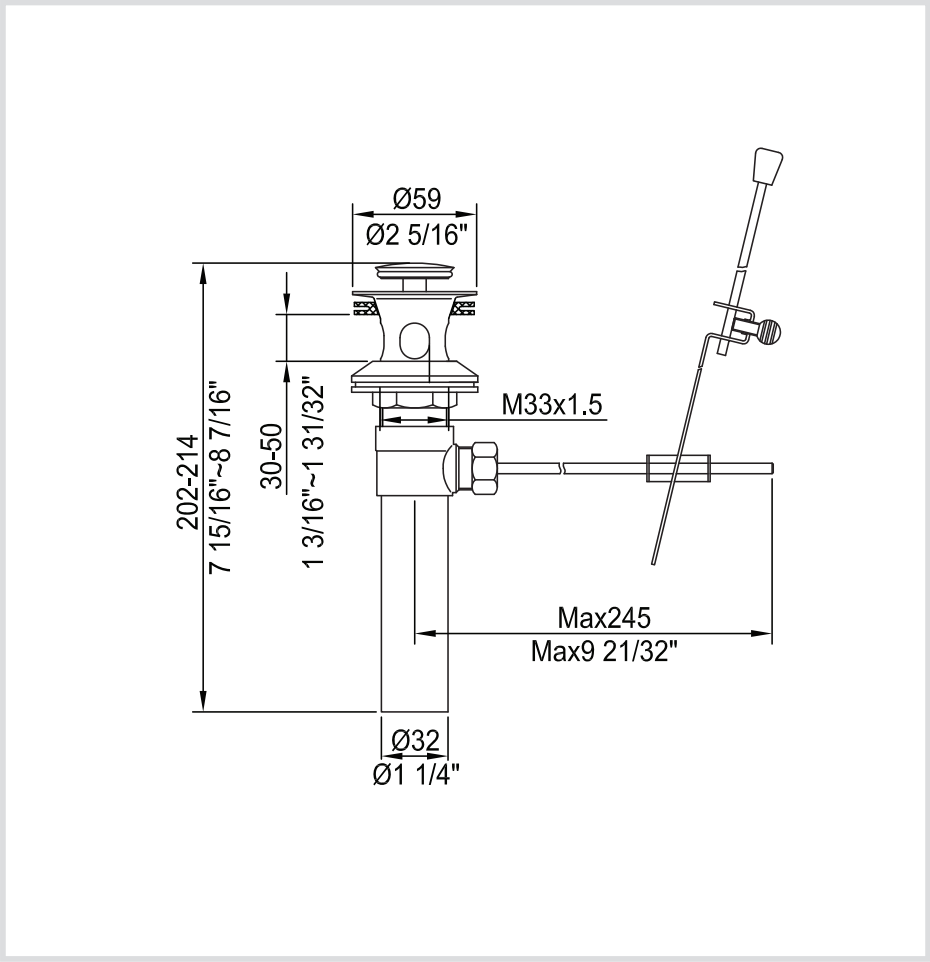


## Lift Rod Drain Diagram and Parts List



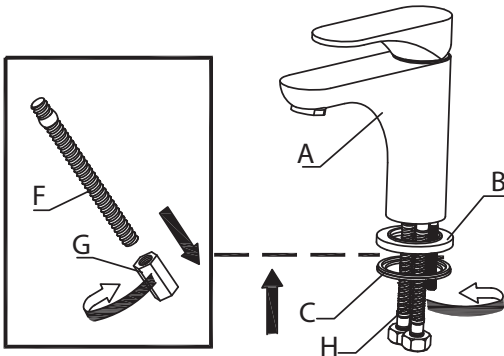
- a. Waste Stopper
- b. Drain
- c. Rubber Washer
- d. Concave Washer
- e. Plastic Washer
- f. Mounting Nut
- g. Tailpipe Washer
- h. Tailpipe
- i. Top Hat Washer
- j. Drain Off Pole
- k. Washer
- l. Retaining Nut
- m. Extender Rod
- n. Clip
- o. Thumb Screw
- p. Lift Pole

# Lift Rod Drain Dimensions



## Step 1: Install mounting hardware and waterlines

---



Remove faucet, mounting hardware, and waterlines from the box. Remove mounting nuts (G) from mounting screws (F). Place faucet body (A) on a soft cloth, spout facing up. Secure hot & cold waterlines (H) at the base of the faucet (HAND-TIGHTEN ONLY)

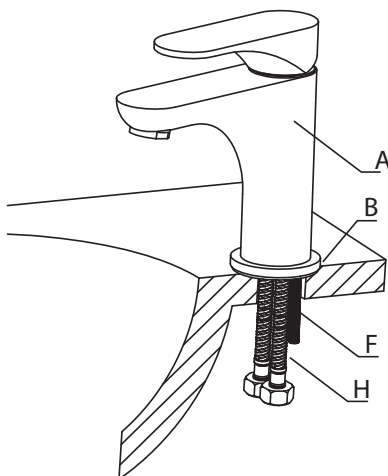
A. Hot Side: Left

B. Cold Side: Right

Thread mounting screws (F) into faucet base, flat head up, and tighten with a Phillips head screwdriver until snug. Place base O-ring (C) in groove of base metal ring (B)

## Step 2: Install faucet

---

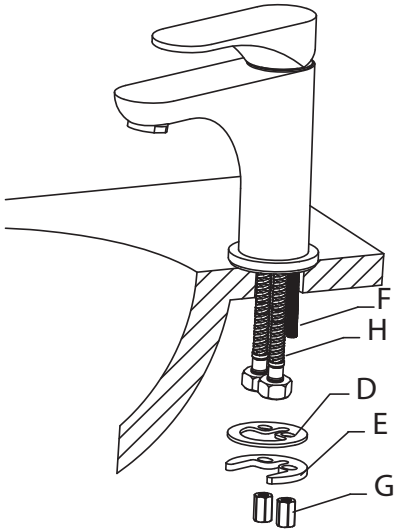


Install faucet body (A) through 1-3/8" hole in countertop or sink, with hot & cold waterlines (H), mounting screws (F), and base metal ring (B) attached

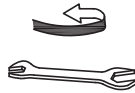


### Step 3: Secure faucet

---

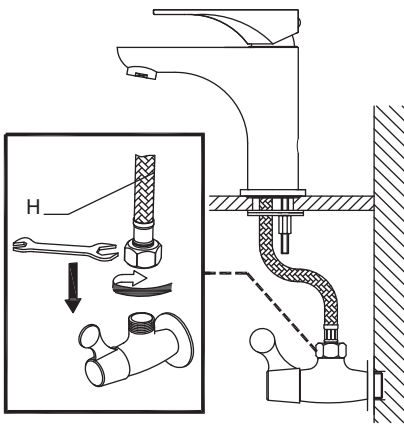


Install rubber O-washer (D) and metal U-washer (E), over waterlines (H) and mounting screws (F), from underneath the countertop or sink. Attach mounting nuts (G) to mounting screws (F) and tighten with adjustable wrench or 10mm wrench until snug



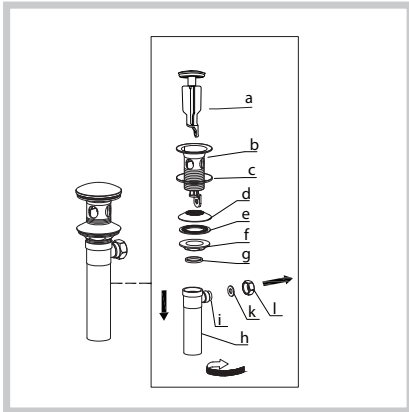
### Step 4: Connect waterlines to main valve

---



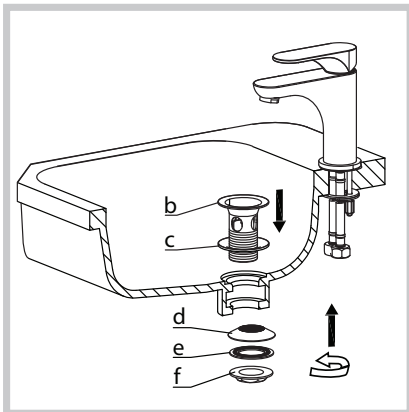
Thread hot & cold waterlines (H) onto angle stops and tighten with adjustable wrench until snug. Turn on angle stops and check for leaks (DO NOT TURN ON FAUCET)

## Step 5: Install Drain

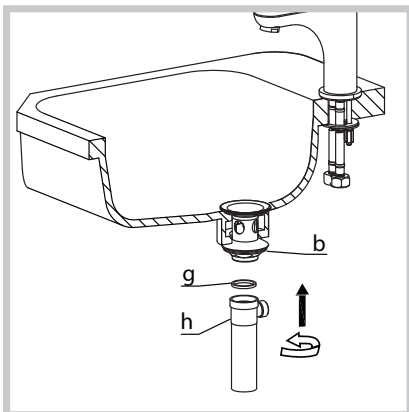


- Remove waste stopper (a) from drain (b). Remove tail pipe (h), mounting nut (f), plastic washer (e), and concave washer (d) from drain (b). Remove retaining nut (l) and washer (k) from tailpipe (h)

**Installer tip:** Leave top hat washer (g) in tailpipe (h)



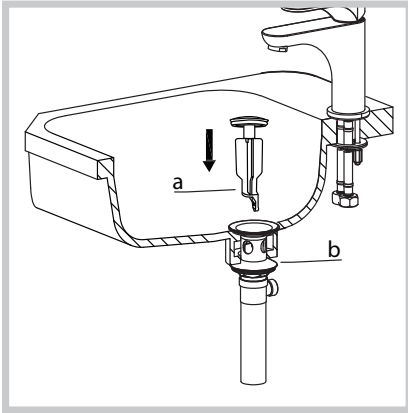
- Install drain (b), with rubber washer (c) attached, into the drain hole. Attach concave washer (d) with narrow end up, plastic washer (e), and mounting nut (f) to drain (b) from underneath countertop or sink. Secure tightly to sink with an adjustable wrench



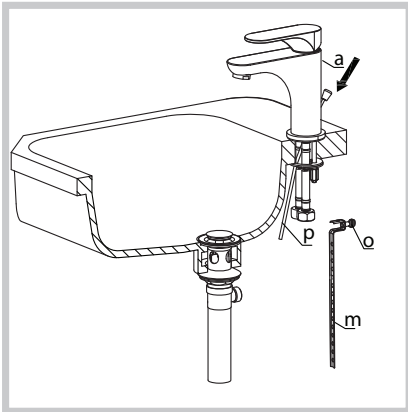
- Thread tailpipe (h) onto drain (b) and hand-tighten. Adjust tailpipe (h) so drain off pole opening is to the rear of the sink

**Installer Tip:** Make sure tailpipe washer (g) is installed in tailpipe (h)

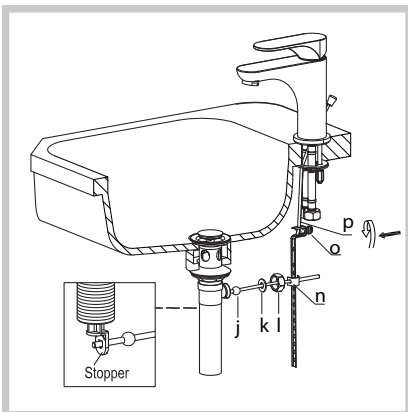
## Step 5: Install Drain



- Insert waste stopper (a) into drain (b). Make sure slot at end of waste stopper (a) is facing the rear of the sink



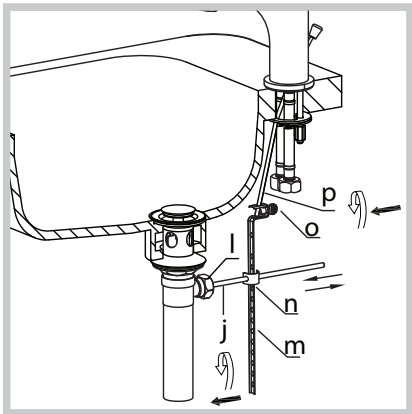
- Insert lift pole rod (p) through the hole in the back of the faucet body (a). Loosen thumb screw (o) and attach extender rod (m) to lift pole rod (p). Tighten thumb screw (o)



- Insert shortest end of drain off pole (j) into drain off pole opening of tailpipe (h). Make sure drain off pole (j) and slot on waste stopper (a) engage. Attach washer (k) and retaining nut (l) through drain off pole (j). Secure retaining nut (l) to drain off pole opening of tailpipe (h)

## Step 5: Install Drain

---

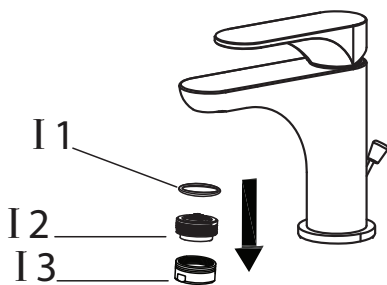


- Place one end of clip (n) on drain off pole (j). Insert drain off pole (j) through desired hole of extender rod (m). Place other end of clip (n) on drain off pole (j)

**Installer Tip:** You may adjust the extender rod (m) to a desired height

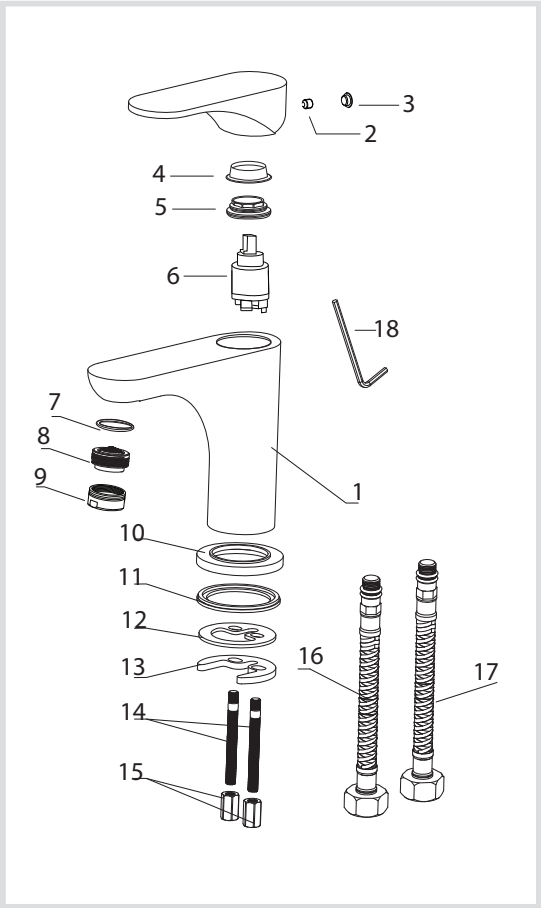
## Step 6: Flush Faucet

---



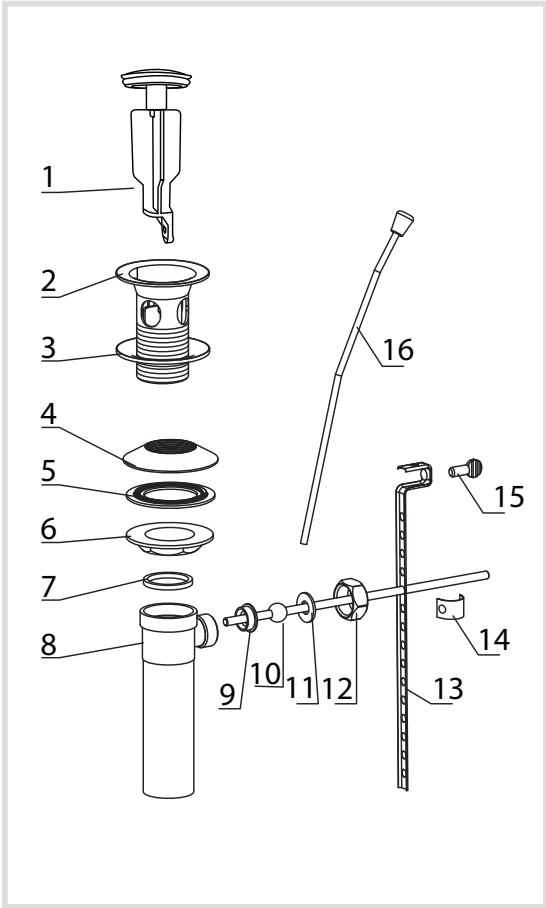
Remove aerator assembly (I). Loosen aerator cover (I 3) with adjustable wrench. Remove aerator (I 2) and aerator washer (I 1). Turn water on for 1 minute to remove any debris. Reassemble aerator assembly (I)

# Replacement Part List - FUS-13901



- 1. Metal Handle
- 2. Set Screw
- 3. Cover Button
- 4. Cartridge Cover
- 5. Locking Nut
- 6. Cartridge
- 7. Aerator Washer
- 8. Aerator
- 9. Aerator Cover
- 10. Base Metal Ring
- 11. Base O-ring
- 12. Rubber O-Washer
- 13. Metal U-Washer
- 14. Mounting Screws
- 15. Mounting Nuts
- 16. Cold Waterline
- 17. Hot Waterline
- 18. Hex Wrench

# Replacement Part List - Lift Rod Drain



1. Waste Stopper
2. Drain
3. Rubber Washer
4. Concave Washer
5. Plastic Washer
6. Mounting Nut
7. Tailpipe Washer
8. Tailpipe
9. Top Hat Washer
10. Drain Off Pole
11. Washer
12. Retaining Nut
13. Extender Rod
14. Clip
15. Thumb Screw
16. Lift Pole Rod

## Trouble - Shooting

If you have followed the instructions carefully and your faucet still does not work properly, take the following corrective steps:

PROBLEM	CAUSE	ACTION
Leakage under the handle	Locking nut (5) has come loose	Remove cover button (3). Loosen set screw (2) with hex wrench (18). Remove metal handle (1). Unscrew cartridge cover (4) (by hand only). Tighten locking nut (5) with adjustable wrench
Aerator drips or has inconsistent water flow pattern	Aerator (8) may be dirty or not seated properly	Unscrew aerator cover (9) with adjustable wrench. Remove aerator (8) and clean out debris
Water will not shut off completely	Cartridge (6) may need to be adjusted or replaced	Remove cover button (3). Loosen set screw (2) with hex wrench (18). Remove metal handle (1). Unscrew cartridge cover (4) (by hand only). Unscrew locking nut (5) with adjustable wrench. Remove ceramic disc cartridge (6). Check for cracks
Drain is leaking	Washers may be compromised or installed incorrectly	Check washers to make sure they are installed correctly and not cracked

# Care & Maintenance

\*To keep the product clean & shining, follow the steps below:

1. Rinse with clean water & dry with a soft cloth
2. Do not clean with soaps, acid, polish, abrasives, or harsh cleaners
3. Do not use cloth with a coarse surface
4. Unscrew the aerator and clean when necessary



\*This installation manual is subject to change without further notice.



## Codes/Standards Applicable:



## KRAUS LIMITED LIFETIME WARRANTY

This product has been manufactured and tested to the highest quality standards by Kraus USA Inc. ("Kraus"). We offer our customers thoughtfully crafted fixtures & accessories, engineered for enduring performance over years of use.

### WHO IS COVERED BY THE WARRANTY

This warranty extends to the original purchaser only. This warranty is not transferable, between homes or owners and is only applicable to residential use.

### WHAT IS COVERED BY THE WARRANTY

Kraus warrants this product against defects due to material or craftsmanship error during the warranty period: Kraus will provide replacement parts at no charge, or at its option, replace any product or part of the product that is deemed defective, under normal installation, use, service and maintenance. If Kraus is unable to provide a replacement and repair is not practical or cannot be made in timely fashion, Kraus may elect to refund the purchase price in exchange for the return of the product.

### CONDITIONS AND EXCLUSIONS

Like other home fixtures, Kraus products will require light maintenance to ensure proper function. We provide you with complete knowledge to perform this maintenance and can also recommend resources if you are unable to fulfill this service.

**A.** Kraus will not be responsible for product failures due to lack of maintenance or proper use. Please read your care and maintenance documentation to determine the limits of proper use.

**B.** The original sales receipt, order number, and/or proof of purchase must be presented at the time of the warranty claim, without exception, for this warranty to be applied to all Kraus products.

C. Kraus recommends installing all Kraus products with a licensed, professional plumber. Kraus will not be held responsible for any damage or product failure due to improper installation, misuse, or failure to use a licensed professional. Please read your care and maintenance documentation to determine the limits of proper use.

D. Commercial use will automatically void this warranty.

E. This warranty is not applicable to Kraus products purchased from an unauthorized seller. For a complete list of authorized sellers please visit <http://www.kraususa.com/where-to-buy.html>

## **NON-APPLICABILITY OF THIS WARRANTY**

By the purchase and use of our products, you agree that Kraus is not liable for incidental, consequential or special damages associated with the return, replacement, installation or use of your product. This includes freight costs, cartridge replacement, labor, travel time, lost profit, home damages and other contingent liabilities and costs (including, without limitation, costs associated with experts, investigations, analyses, attorneys and other professionals and services). The Kraus warranty is a comprehensive and explicit limit of liability, and all items outside of it are not addressable by or the responsibility of Kraus. Certain states have variances regarding implied warranties and in those situations we remain fully compliant.

KRAUS USA Inc. makes no implication that products comply with any or all local building or plumbing codes. It is the consumer's responsibility to determine local code compliance. This warranty extends to the original purchaser and first consumer.

---

## **HELP LINE**

For additional assistance at any point in the installation process, please call us at 1.800.775.0703 or email us at [info@kraususa.com](mailto:info@kraususa.com)

Our customer service hours are Monday – Friday, 9am – 8pm EST.  
Be sure to visit our website at [www.kraususa.com](http://www.kraususa.com)

**Kräus<sup>®</sup>**

[www.kraususa.com](http://www.kraususa.com)

Kräus<sup>®</sup>

[www.kraususa.com](http://www.kraususa.com)