

Technical Data

Product: KLUDI PURE&STYLE
Concealed single lever bath- and shower mixer

Article-Nr.: 406500575

Surface: 05 chrome

Product description

manufacturer KLUDI GmbH & Co. KG

Typ: KLUDI PURE&STYLE

Concealed single lever bath- and shower mixer,
PN 10

Art. Nr. 406500575

concealed bath-shower mixer

single lever mixer

trim set without pre-installation set

pre installation set KLUDI FLEXX.BOXX Art. Nr. 88011

trim set with functional unit

wall mounted

automatic diverter: shower/ bath

solid lever, metal

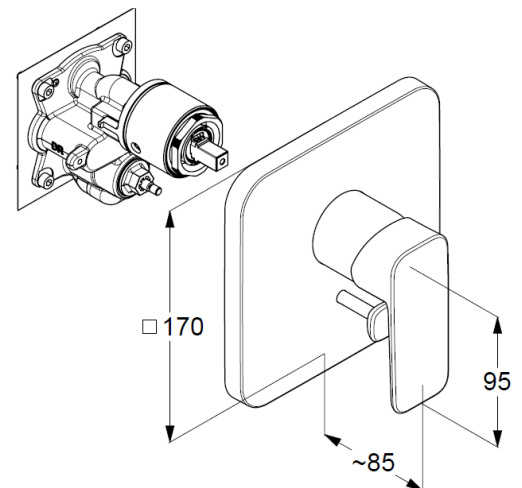
ceramic cartridge with hotwater safety device

flow rate at 3 bar = 31 l/ min.

Product Picture



Dimensional drawing



Flow rate diagram

